

D	-60
D ( )	34
I <sub>D</sub>	-9A



- A FE
- ,
- -
- F
- 150



I

□

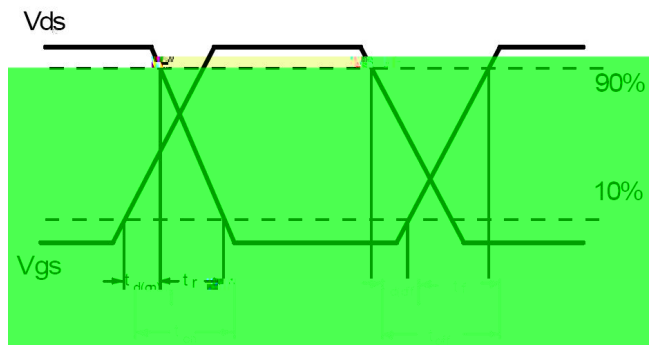
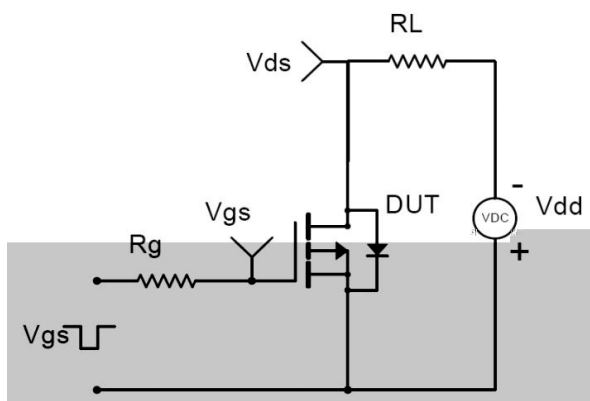
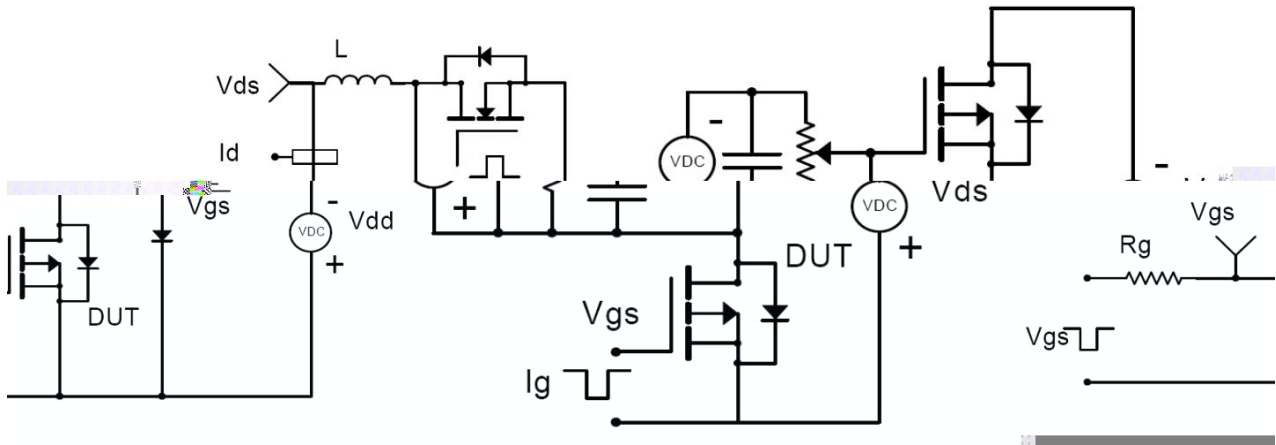
I <sub>D</sub> @ c = 25 C	C D C , G @ 10	-9	A
I <sub>D</sub>	D C	-36	
I <sub>D</sub> @ c = 25 C	D	60	
D	D -	-60	
G	G - -	20	
J G	J	-55 +150	C

JA	,J - -A		41.7	/
----	---------	--	------	---

@ A=25

(B)D	D - -	-60				$I_G = 0, I_D = -250 \text{ A}$
D ( )	D - - -		34	43		$I_G = -10, I_D = -20 \text{ A}$
			45	58		$I_G = -4.5, I_D = -20 \text{ A}$
G ( )	G	-1		-2.5		$I_D = I_G, I_D = -250 \text{ A}$
I <sub>D</sub>	D - -			1	A	$I_D = -48, I_G = 0$
I <sub>G</sub>	G - -			100	A	$I_G = 20, I_D = 0$
F	F	5				$I_D = -5, I_D = -20 \text{ A}$
			48		C	$I_D = -30$
	G - -		11			$I_D = -20 \text{ A}$
	G - -D (" ")		10			$I_G = -10$
( )	-		14			$I_D = -30$
			20			$I_G = -10$
( )	-		40			$I_{GE} = 3$
	F		19			$I_D = -1 \text{ A}$
C	I		3060		F	$I_D = -30$
C			300			$I_G = 0$
C			205			$I_D = 1.0 \text{ H}$

**A**



C

;

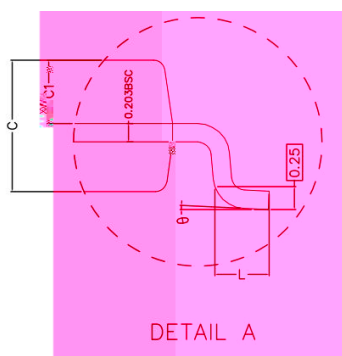
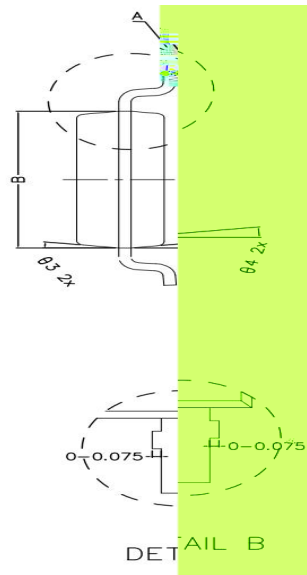
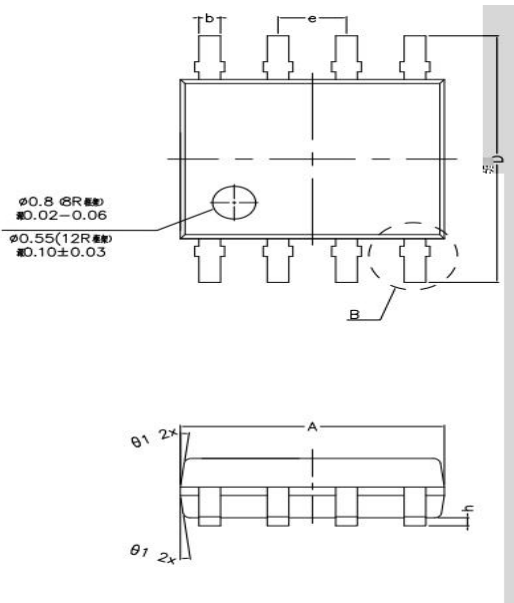
D

JA

$T_A = 25\text{ }^\circ\text{C}$ .

1 2 F -4

2 . C



	COMMON DIMENSIONS (UNITS OF 0.1 mm)	DIMENSIONS (mm)	
		NOMINAL	MAXIMUM
	MIN		
A	4.800	4.900	5.000
B	3.800	3.900	4.000
C	1.350	1.450	1.550
C1	0.650	0.700	0.750
D	5.840	6.040	6.240
L	0.400	0.600	0.800
b	0.350	0.400	0.450
h	0.020	0.100	0.250
e	1.270	TYPE	
$\theta_1$	7° TYPE (3R)	TYPE (12F)	
$\theta_2$	7° TYPE (3R)	TYPE (12F)	
$\theta_3$	8° TYPE (3R)	TYPE (12F)	
$\theta_4$	8° TYPE (3R)	TYPE (12F)	
$\theta$		0° ~ 8°	

A

C

I

I

A

"D

"