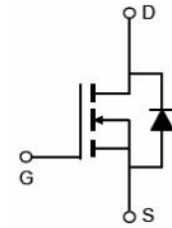


D	68
D ()	7.3 ()
I _D	80A



A FE

F
150



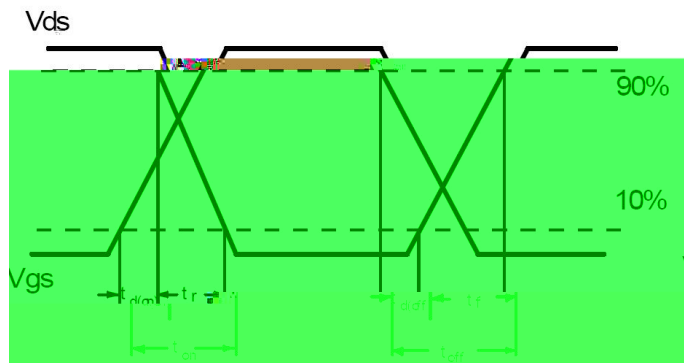
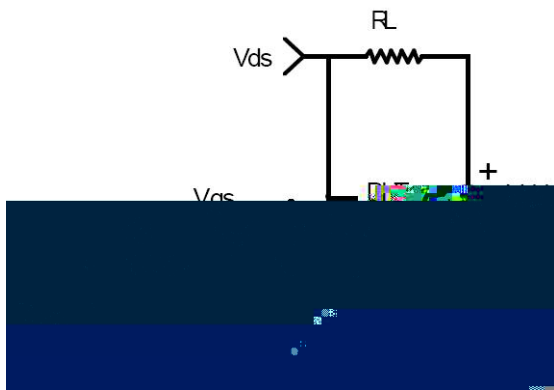
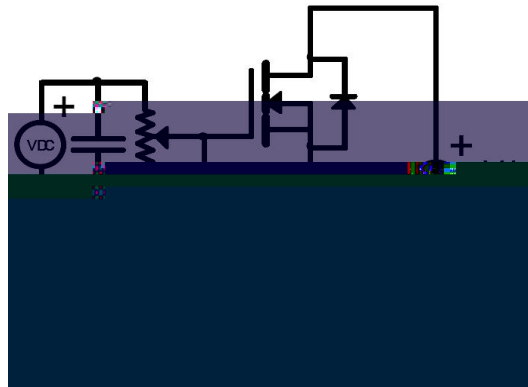
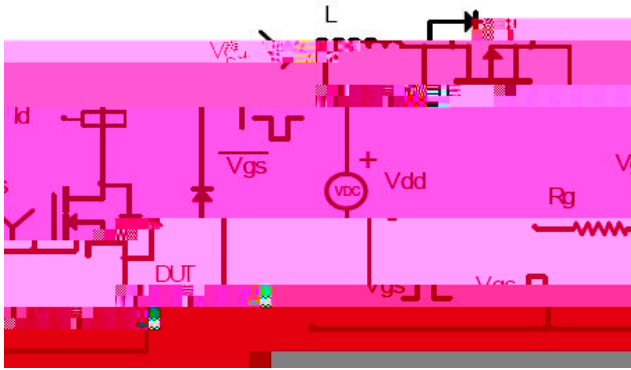
I _D @ c = 25 C	C D C , G @ 10	80	A
I _D @ c = 100 C	C D C , G @ 10	52	
I _D	D C	320	
D @ c = 25 C	D	85	
D	D -	68	
G	G - -	20	
J G	J	-55 +150	C

JC	J	- -			1.46	/
----	---	-----	--	--	------	---

@ $j=25$

(B) D	D - -	68				$i_G = 0$, $i_D = 250$ A
D ()	D - - -		7.3	9.5		$i_G = 10$, $i_D = 30$ A
G ()	G	2		4		$i_D = i_G$, $i_D = 250$ A
i_D	D - - =25 C			1	A	$i_D = 68$, $i_G = 0$,
i_G	G - -			100	A	$i_G = 20$, $i_D = 0$
				-100		$i_G = -20$, $i_D = 0$
			36		C	$i_G = 10$, $i_D = 30$, $i_D = 20$ A
	G - -		12			
	G - -D (" ")		10			
()	-		16			$i_G = 10$ $i_D = 30$ $i_G = 6$ $i_D = 20$ A
			95			
()	-		47			
	F		33			
C	I		3963		F	$i_G = 0$ $i_D = 25$ $i_D = 1$ H
C			262			
C			223			

I C C 80 A FE
 (B D)
 I C 320 A
 (B D)



C

;

D

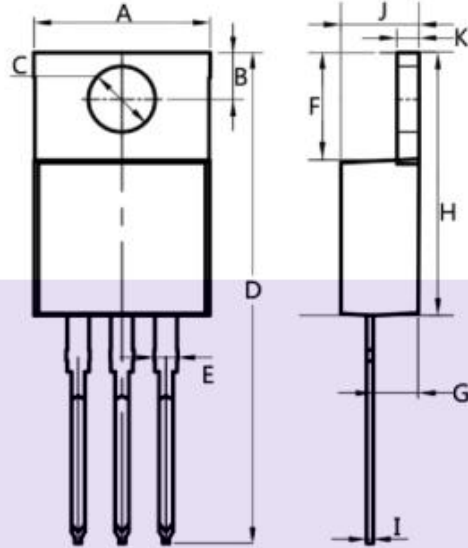
.

,

-

--

TO-220AB



Dim.	Min.	Max.
A	10.0	10.4
B	2.5	3.0
C	3.5	4.0
D	28.0	30.0
E	1.1	1.5
F	6.2	6.6
G	2.9	3.3
H	15.0	16.0
I	0.35	0.45
J	4.3	4.7
K	1.2	1.4
All Dimensions in millimeter		

A

C

I

I

A

"D

"