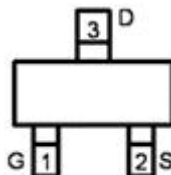


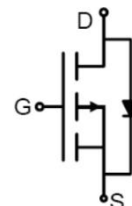
Main Product Characteristics:



SOT-23



Pin Assignments



Schematic Diagram

Features and Benefits:



Description:

Absolute Max Rating:

Symbol	Parameter	Max.	Units

Thermal Resistance

Symbol	Characterizes	Typ.	Max.	Units

Electrical Characteristics

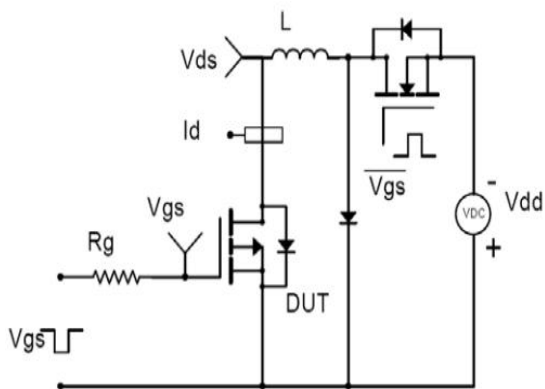
Symbol	Parameter	Min.	Typ.	Max.	Units	Conditions

Source-Drain Ratings and Characteristics

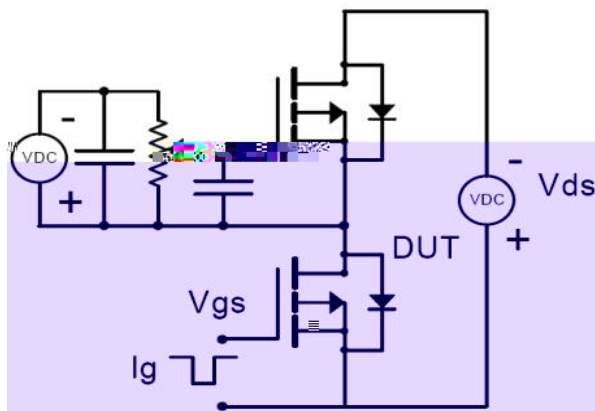
Symbol	Parameter	Min.	Typ.	Max.	Units	Conditions
						

Test Circuits and Waveforms:

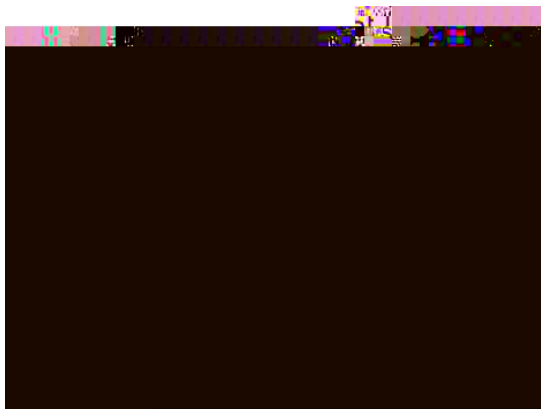
EAS Test Circuit:



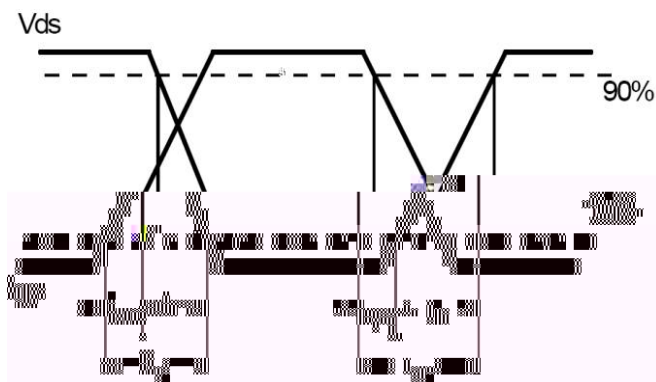
Gate Charge Test Circuit:



Switching Time Test Circuit:



Switching Waveforms:



Notes:



(102

SMT003P58G1

(102

ATTENTION: