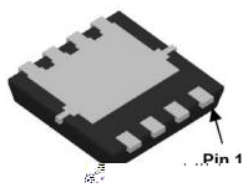
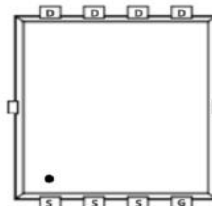


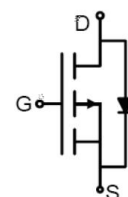
Main Product Characteristics:



PDFN3x3-8L



Pin Assignments



Schematic Diagram

Features and Benefits:



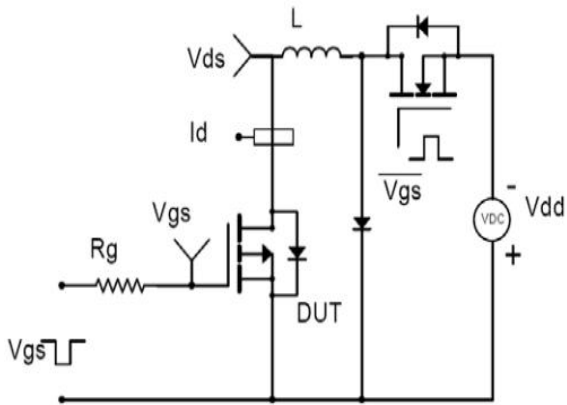
Description:

Absolute Max Rating:

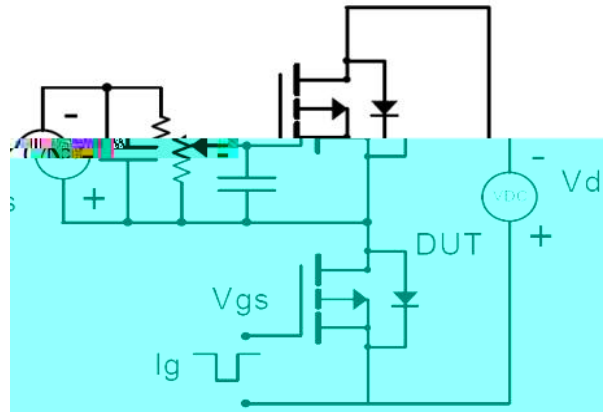
Symbol	Parameter	Max.	Units

Test Circuits and Waveforms

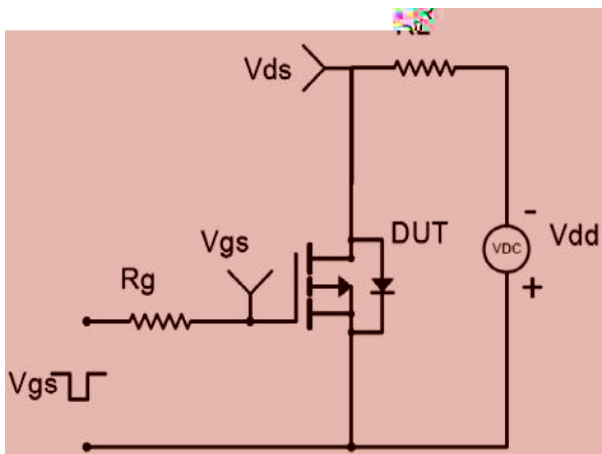
EAS Test Circuit:



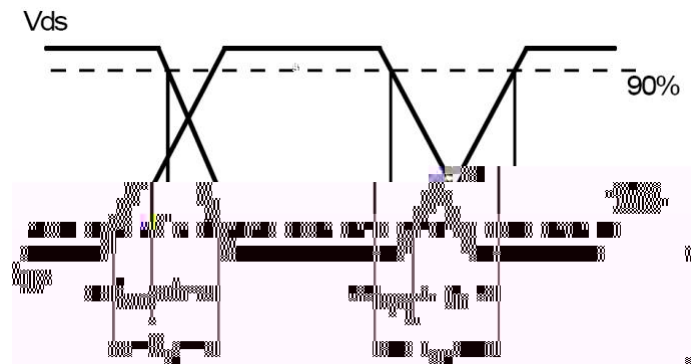
Gate Charge Test Circuit:



Switching Time Test Circuit:



Switching Waveforms:



Notes:

Typical Electrical and Thermal Characteristics

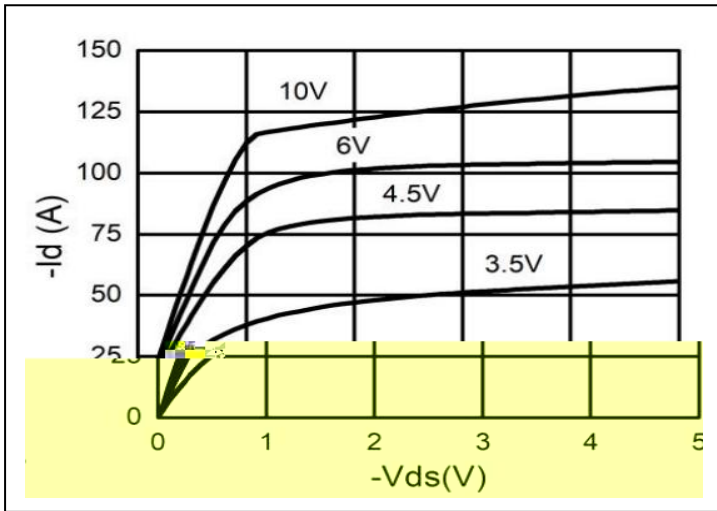


Figure1. Typical Output Characteristics

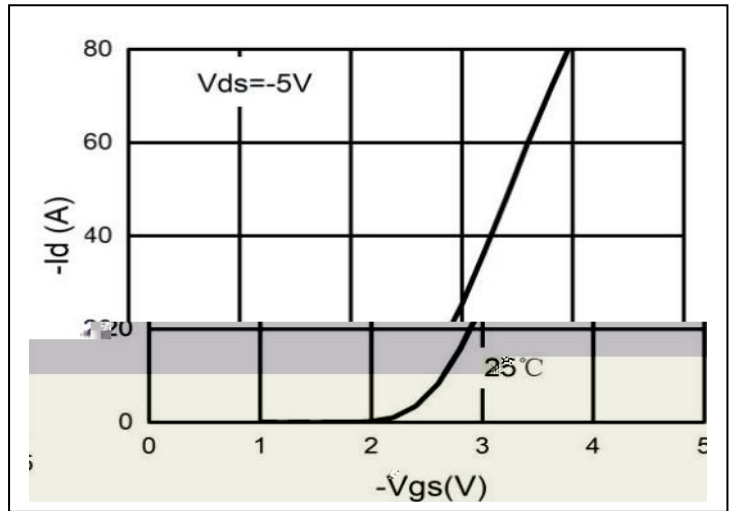


Figure2. Transfer Characteristics

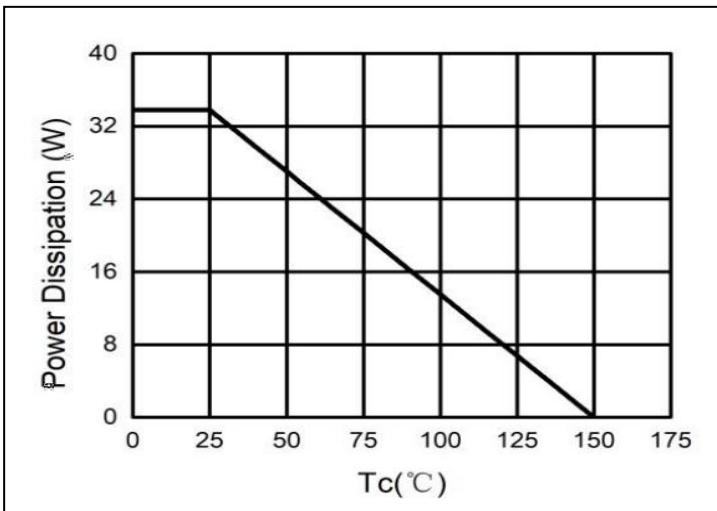


Figure3. Power Dissipation

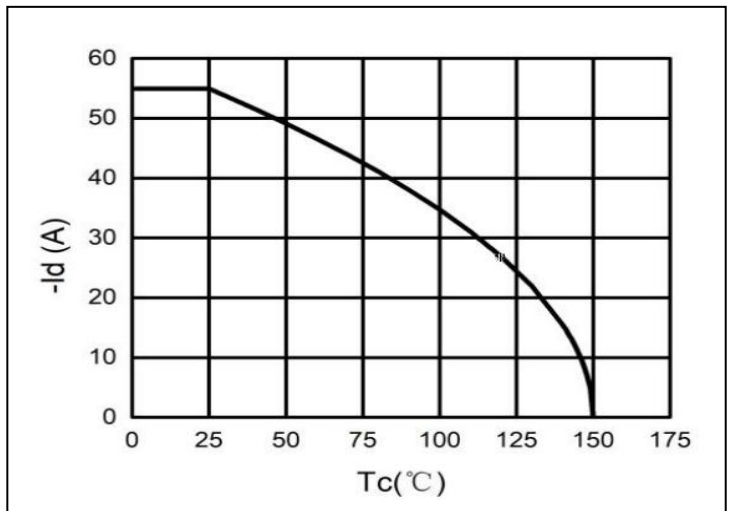


Figure 4. Drain Current

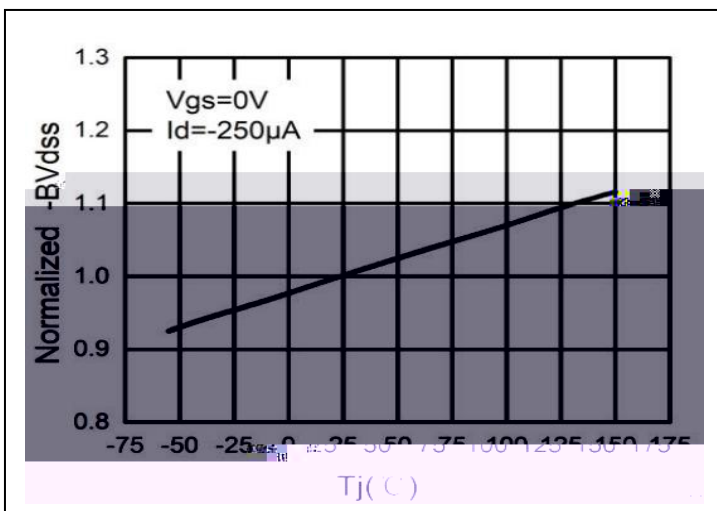


Figure5. BV_{DSS} vs Junction Temperature

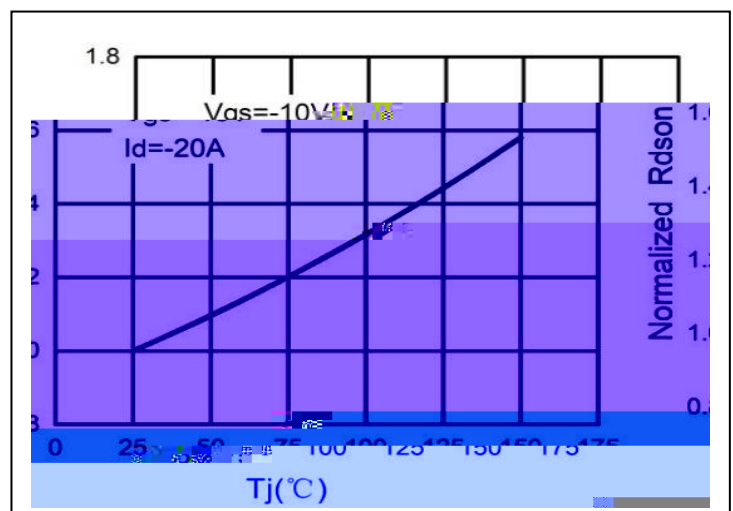


Figure6. $R_{DS(ON)}$ vs Junction Temperature

Typical Electrical and Thermal Characteristics

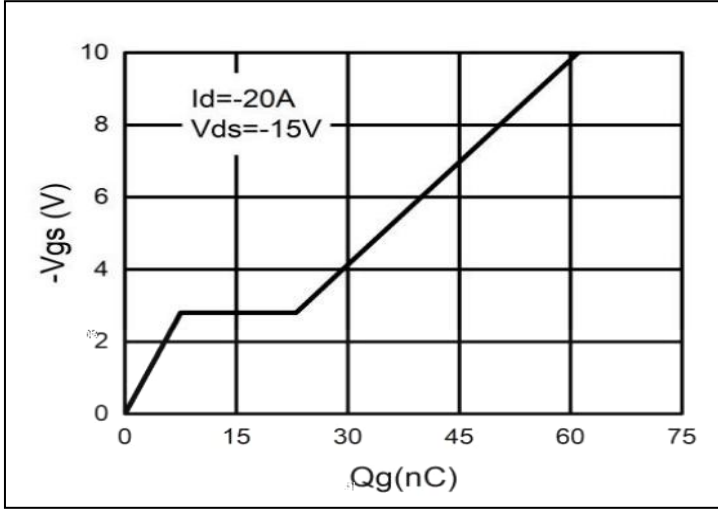


Figure7. Gate Charge Waveforms

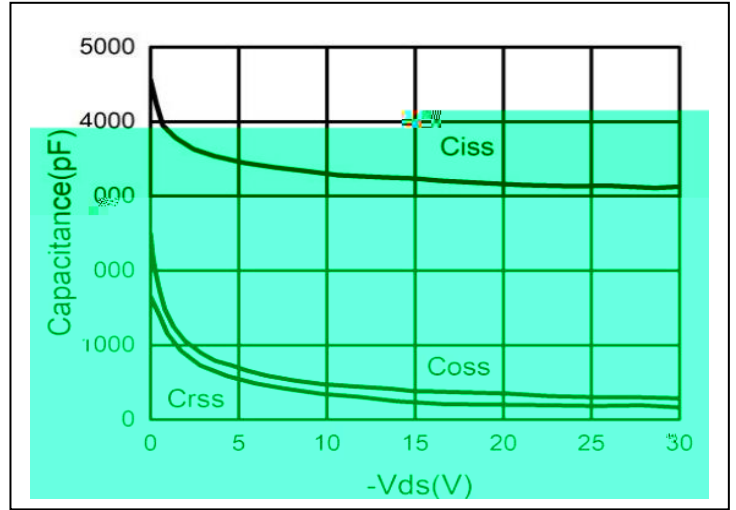


Figure8. Capacitance

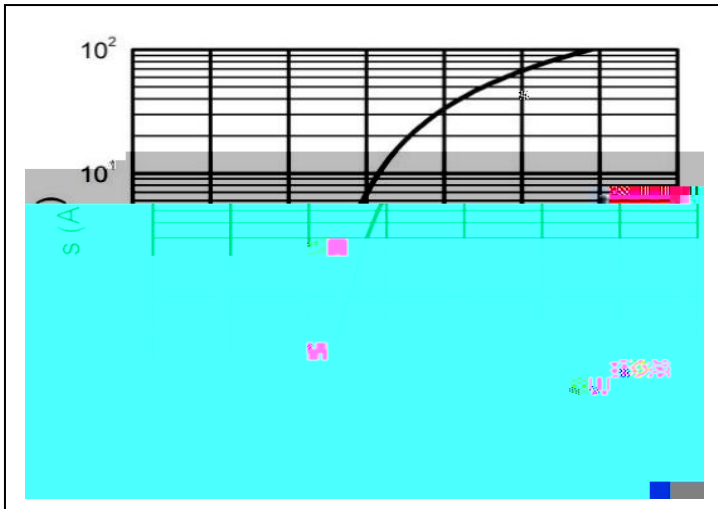


Figure9. Body-Diode Characteristics

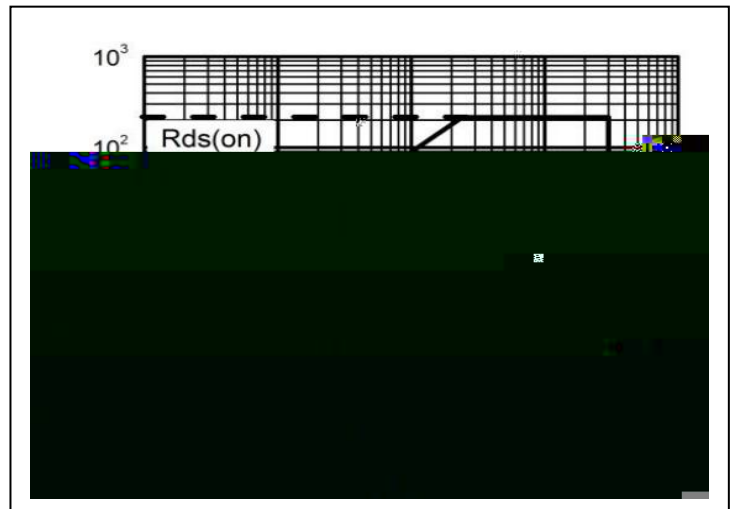
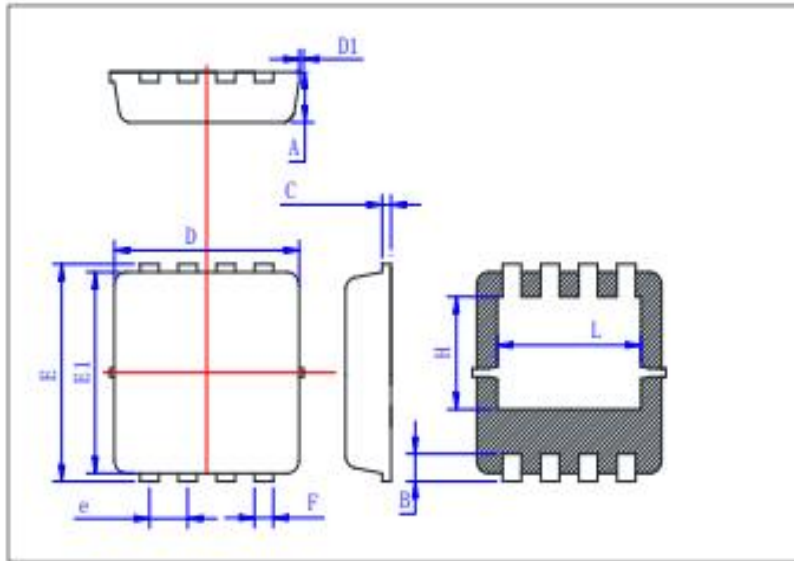


Figure10. Maximum Safe Operating Area

Mechanical Data



Symbol	Min	Typ	Max
A	0.725	0.775	0.825
B	0.28	0.38	0.48
C	0.13	0.15	0.20
D	3.05	3.15	3.25
D1			0.10
E	3.25	3.35	3.45
E1	3.0	3.1	3.2
e	0.60	0.65	0.70
F	0.25	0.30	
H	1.63	1.73	1.83
L	2.35	2.45	2.55

ATTENTION: