

D	60
D (3)	2.2 ()
I _D	0.3A

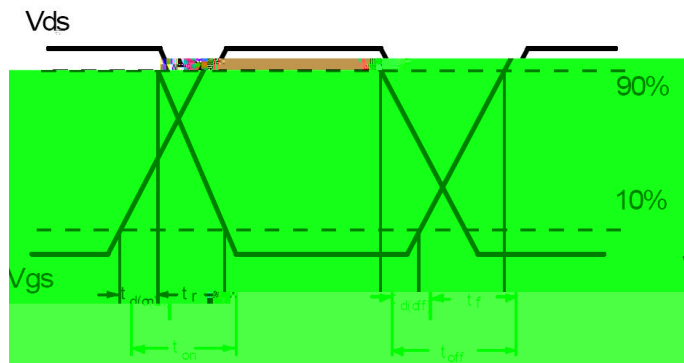
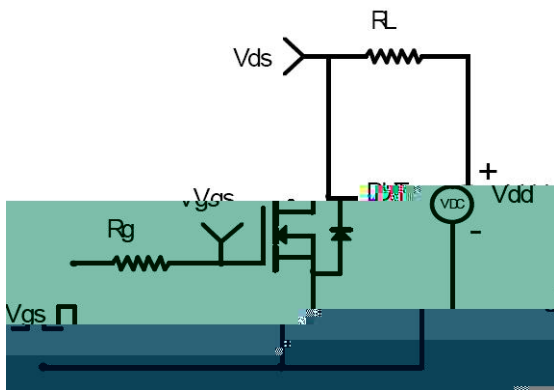
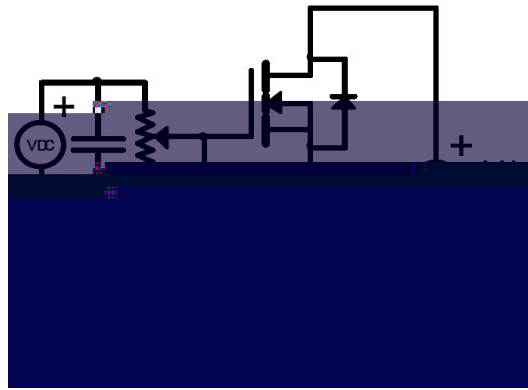
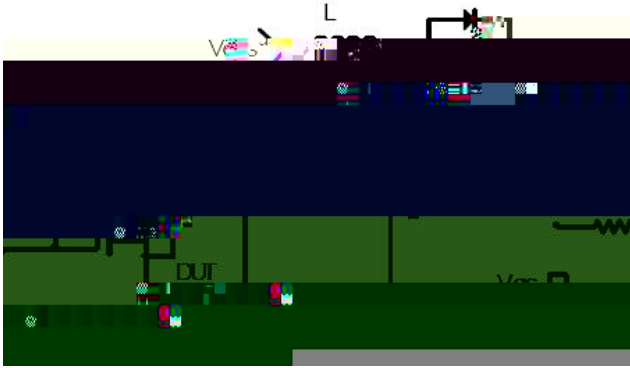
I _D @ _c = 25 C	C 3 3 D 3 C 3 , G @ 10	0.3	A
I _D	D 3 C 3	1.2	
D @ _c = 25 C	/ D 3	0.35	
D	D 3 - 7	60	
G	G - - 7	20	
J G	3 J 3 7 3 3 3	-55 + 150	C

JA	3 7 , J 3 7 3 - -A 3	357	/
----	----------------------	-----	---



@ A=25 3 / 7

(B)D



$C = \frac{Q_{gs}}{V_{gs}}$; $f = \frac{1}{T}$; $T = t_{on} + t_{off}$; $t_{on} = t_{d(on)} + t_r$; $t_{off} = t_d(off) + t_f$; $Q_{gs} = C \cdot V_{gs}$; $Q_{gd} = C_{gd} \cdot V_{ds}$; $Q_{sw} = Q_{gs} + Q_{gd}$; $P_{sw} = V_{ds} \cdot I_{d} \cdot f \cdot Q_{sw}$; $P_{con} = I_{d}^2 \cdot R_{ds(on)}$; $P_{tot} = P_{sw} + P_{con}$; $\theta_{JA} = \frac{P_{tot}}{A}$; $A = 25$

SOT-23 PACKAGE OUTLINE DIMENSION



	Dimension In Millimeters		Dimension In Inches	
A1	0.900	0.035	0.035	A1
A2	0.000	0.100	0.004	A2
B	0.900	0.030	0.035	0.030
C	0.900	0.060	0.035	0.036
D	0.900	0.060	0.035	0.036
E	0.900	0.060	0.035	0.036
L	1.800	0.55REF	0.071	0.079
L1	0.300	0.500	0.012	0.020
theta	0°	8°	0°	8°



A₃ 3 3 7 7 7 3 3 3 3 7 7 3 7 3 3 7 3
□ , 7 - , 7 ' 7 3 ,
□ 3 / 7 3 3 7 3 7 3 / .
C 3 / 3 3 3 3 3 3 3 7 7 7 3 3
3 3 7 - 7 3 .
3 3 3 3 3 3 7 7 7 3 3 3 3 7 7 7 3 3 3 .
7 7 3 3 3 3 7 7 7 3 3 3 .
7 7 3 3 3 3 7 7 7 3 3