

$I_D @ c = 25 C$	C D C , G @ 10	160	A
$I_D$	D C	600	
$D @ c = 25 C$	D	225	
$D$	D -	100	
$G$	G - -	20	
$E_A$	A E @ L=0.1 H	320	J
$I_A$	A C	80	A
$J G$	J	-55 +150	C

---

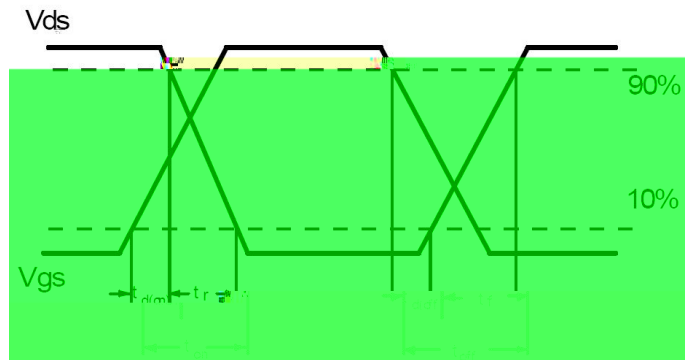
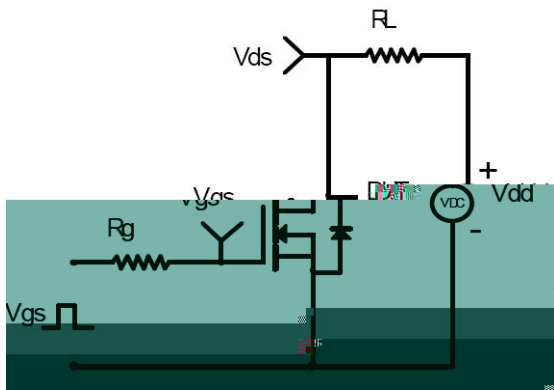
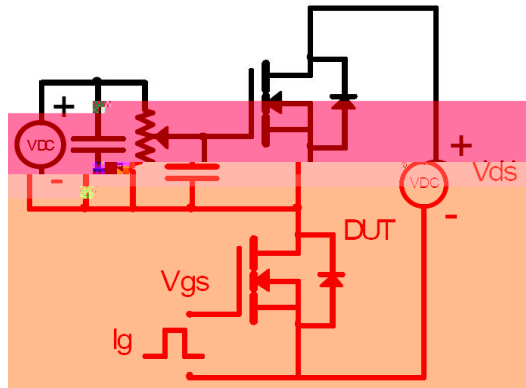
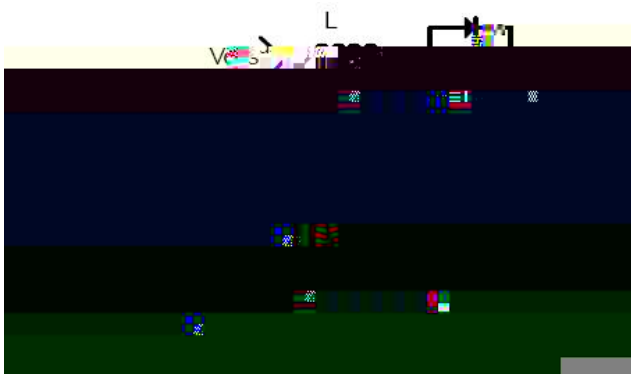
JC	J - -		62	/
JA	J - -		0.55	

@  $T_A=25$

(B) D	D - -	100				$I_G = 0$ , $I_D = 250$ A
D ( )	D - - -		4.2	4.8		$I_G = 10$ , $I_D = 30$ A
G ( )	G	2.5		4.2		$I_D = I_G$ , $I_D = 250$ A
$I_D$	D - -	$T_A = 25$ C		1	A	$I_D = 100$ , $I_G = 0$ ,
$I_G$	G - -			100	A	$I_G = 20$ , $I_D = 0$
				-100		$I_G = -20$ , $I_D = 0$
			100			$I_D = 5$ , $I_D = 30$ A
			78		C	$T_A = 25$ C, $I_G = 10$ , $I_D = 50$ , $I_D = 80$ A
	G - -		32			
	G - -D (" ")		17			
( )	-		28.4			$I_G = 10$ $I_D = 50$ $I_D = 80$ A $I_G = 5$
			39.2			
( )	-		53.6			
	F		32.8			
C	I		3950		F	$I_G = 0$ $I_D = 50$ $I_D = 1$ H
C U			1200			
C			45			

⌊

V



C

;

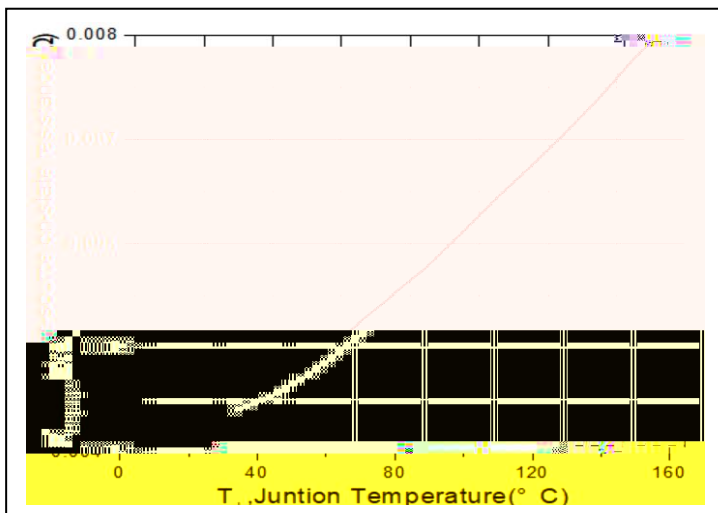
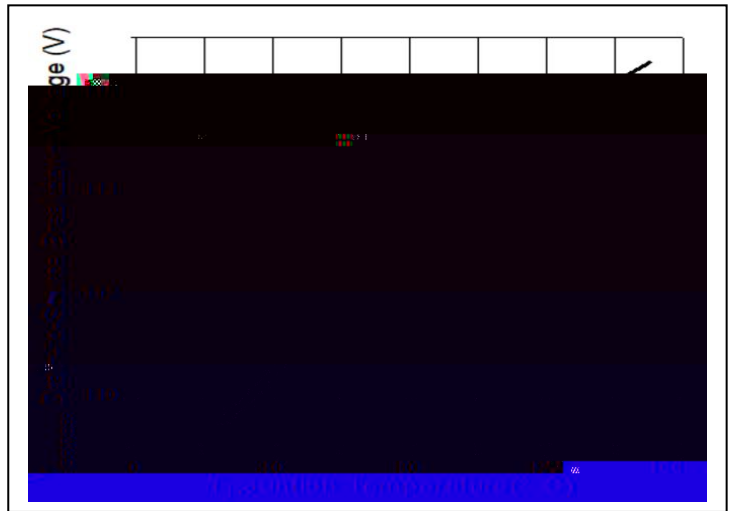
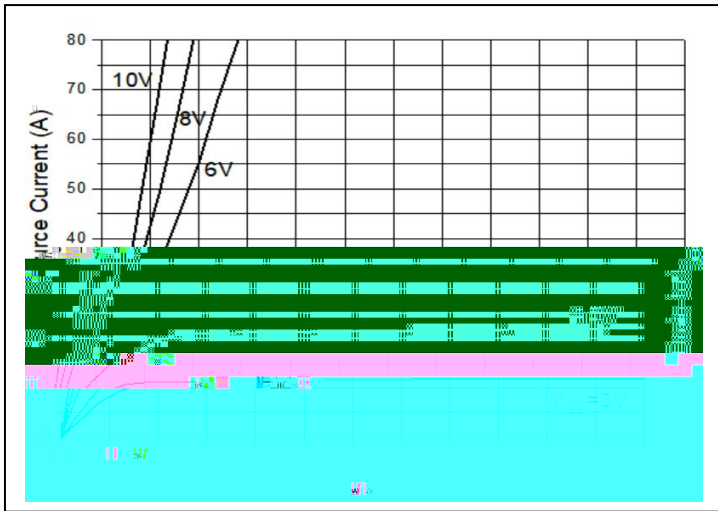
D

JA

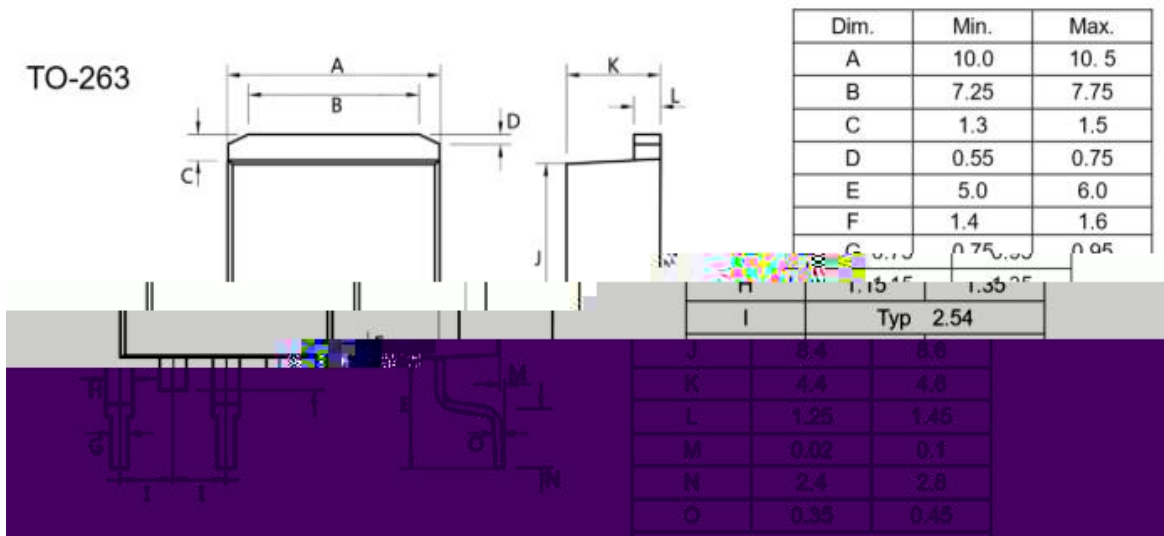
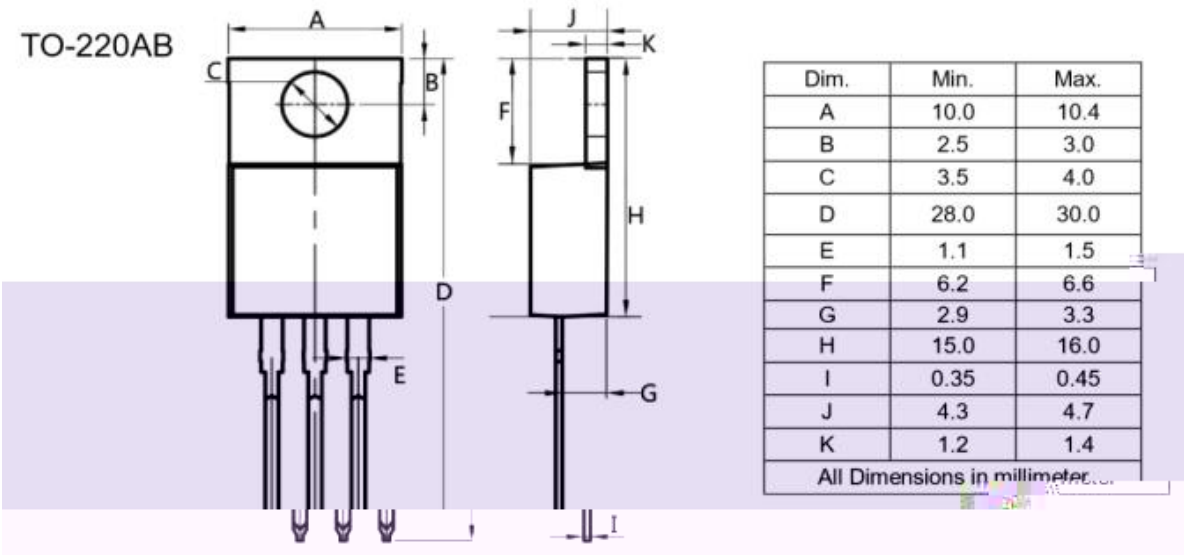
$T_A = 25 \text{ } ^\circ\text{C}$ .

1 2 F -4

2 .C



Product ID	Part No.
SSS1004L	TO-220
SSS1004AL	TO-263



A

, - , ' , .

C

( , , )

---